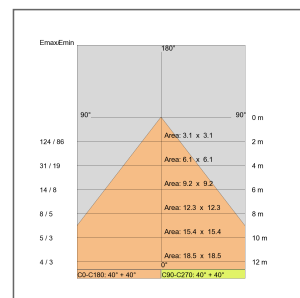
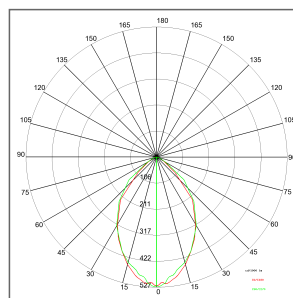


**MINI TOWER BASIC**  
COD: 5456




Use:  
inside  
Installation:  
Suspended  
Fixing system:  
Adjustable micrometric suspension system with steel cable L = 2100 mm  
Body/structure:  
Aluminium body  
Coating:  
Epoxy powder coating for inside use  
Colour:  
Grey  
Optic/reflector:  
99,8% pure aluminium reflector  
Equipment:  
Supply cable L = 2 mt.  
Cable gland:  
Silicon rubber cable gland  
Control gear:  
Mains voltage



Voltage: 230V  
Beam angle: Simmetric flood beam  
Insulation class: Insulation class 1  
Weight: 3,500 kg  
IP rating: 20  
Glow wire: [850 °C]

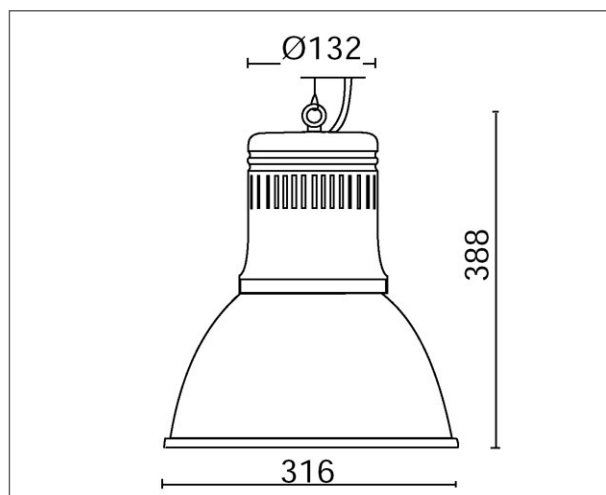
Review board: 27-03-2012



Lamp: 1 x IAA- E27 100.00 W

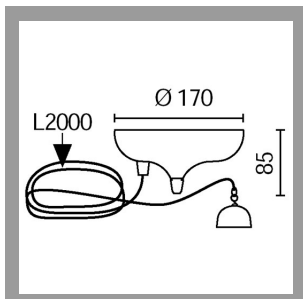


  
 850°C

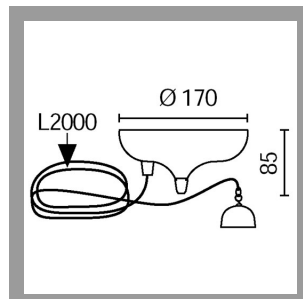


## MINI TOWER BASIC

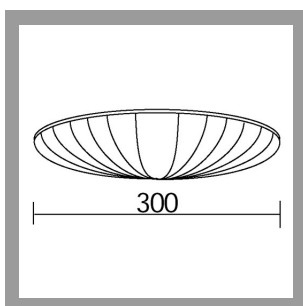
COD: 5456



**173**  
ROSONE CON FUNE DI  
ACCIAIO



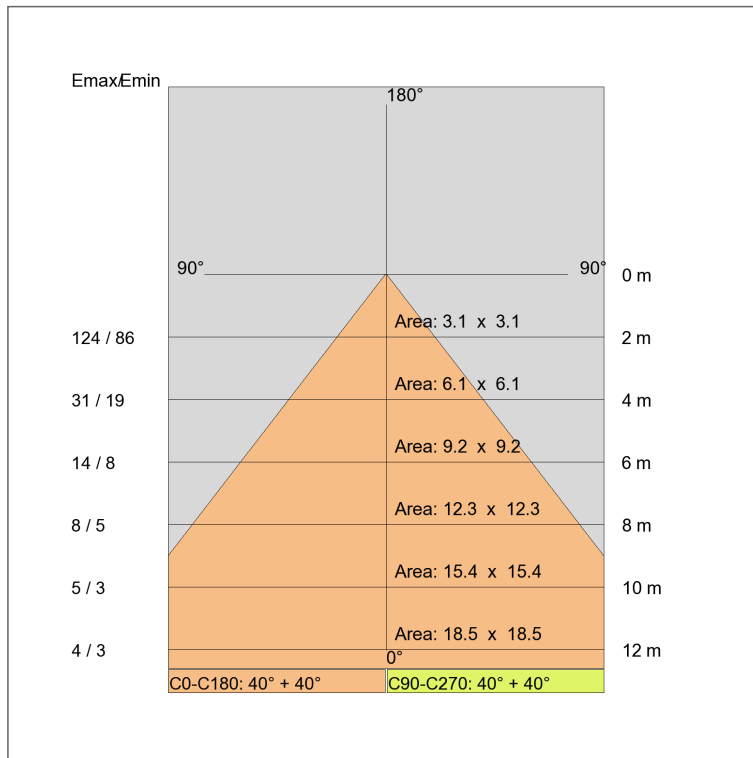
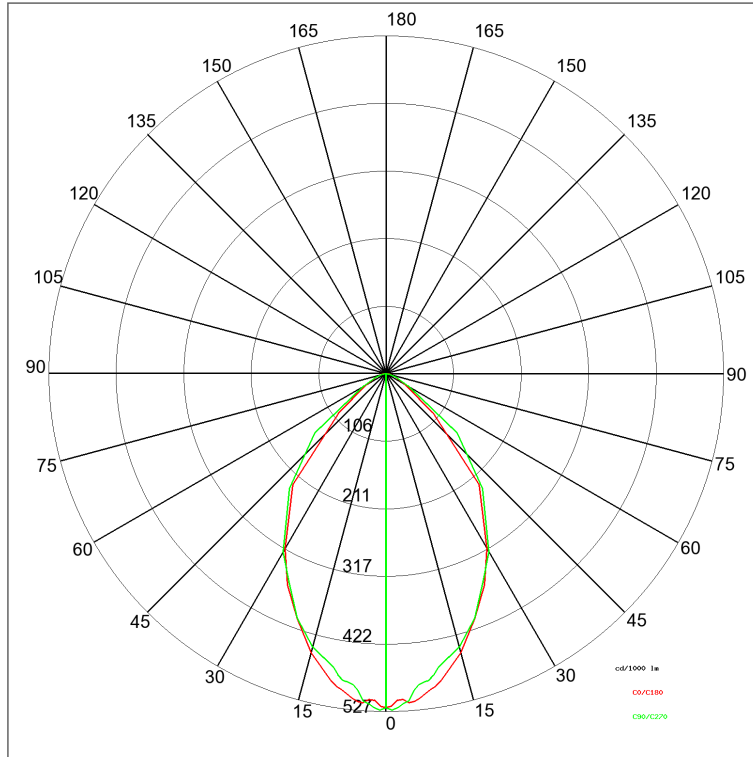
**171**  
ROSONE CON FUNE DI  
ACCIAIO



**178**  
SCHERMO DI CHIUSURA

**MINI TOWER BASIC**

COD: 5456



MINI TOWER BASIC  
COD: 5456

